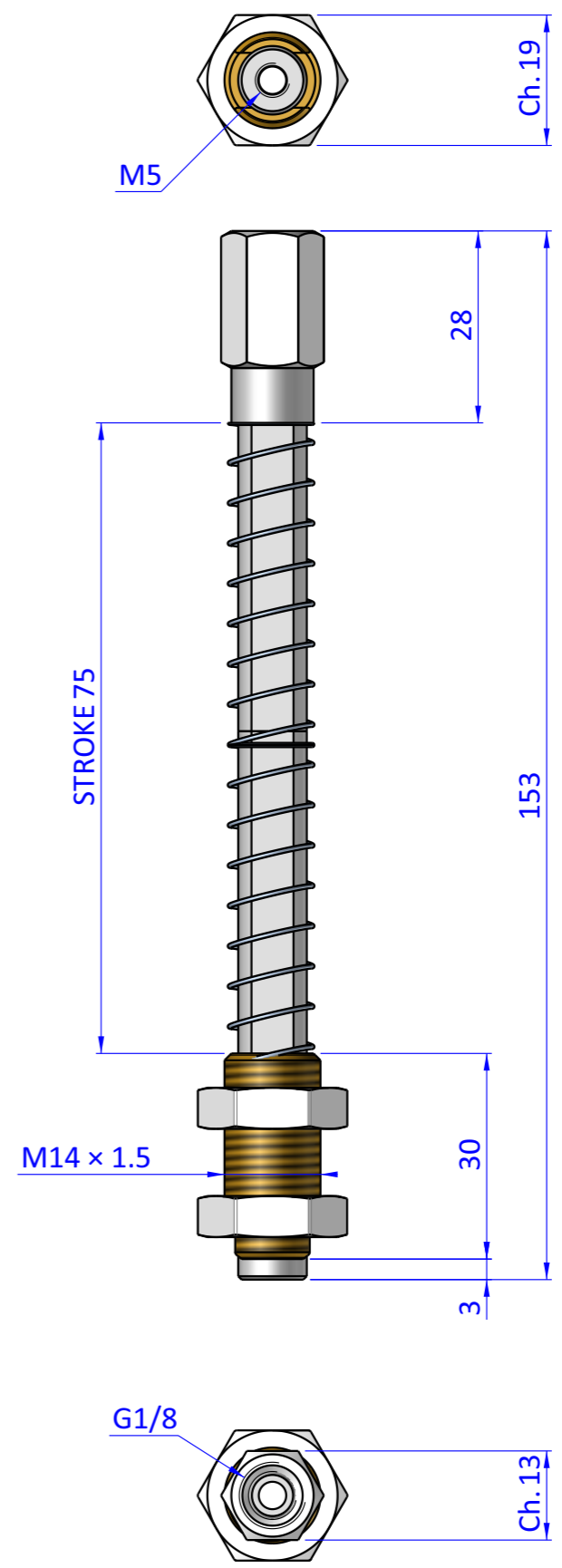
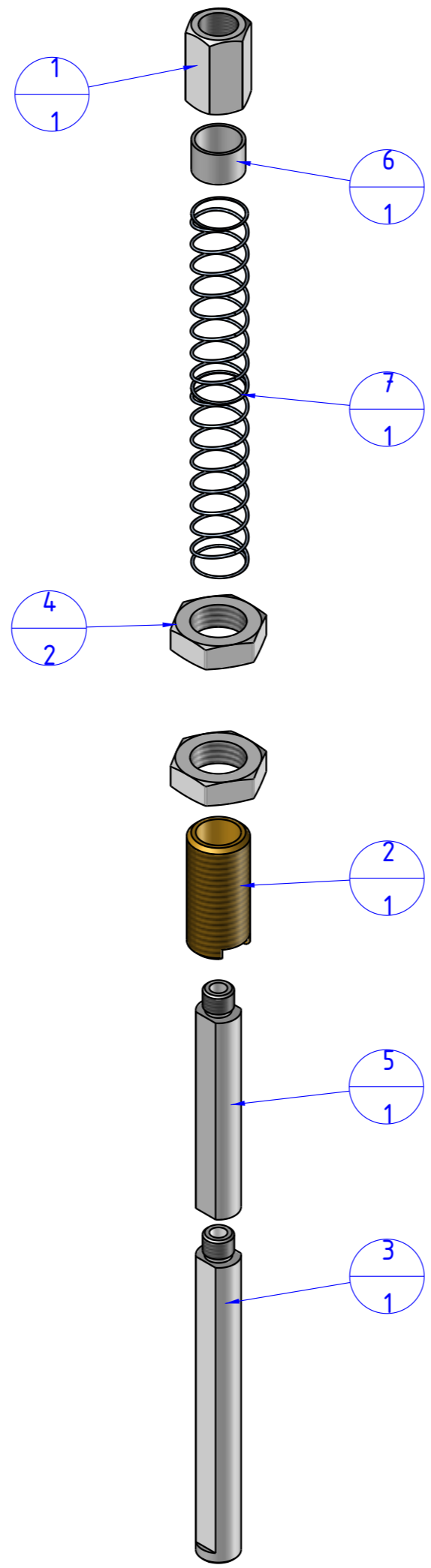



THE PROPERTY OF THE DRAWING IS ESTABLISHED BY LAW. IT IS FORBIDDEN TO PRODUCE OR SHOW IT TO THIRD PART. WITHOUT A WRITTEN AGREEMENT.

Item	Name	Q.ty
1	05.01.001.01	1
2	05.01.001.02	1
3	05.01.001.05	1
4	05.01.001.06	2
5	05.01.75.01	1
6	05.01.100.02	1
7	M.12x100	1



Format A3
UNI 936-76

 FPS SERVICES AUTOMATION		DESIGNED FROM		REVIEW
		FPS Automation		A
GENERAL TOLERANCE		DATE	WEIGHT	
UNI - ISO 2768		01/07/2021	0,098kg	
CLASSE f		CODE		
		CA.05.01.75		CA.05.01.75